

**PB8**  
**PIPE**  
**Beveling**  
**Prep**  
**SOLUTIONS**





# PRODUCT CATALOGUE





# PB8 BEVELING MACHINE



The portable PB8 Pipe Beveling Machine is designed to machine pipe prep on-site. The PB8 is capable perform weld preparation of tube ends, branches and headers. PB6 is be equipped with a compressed air motor /electric motor.



**PB8 Pneumatic**



**PB8 Electric Motor**

## Feature

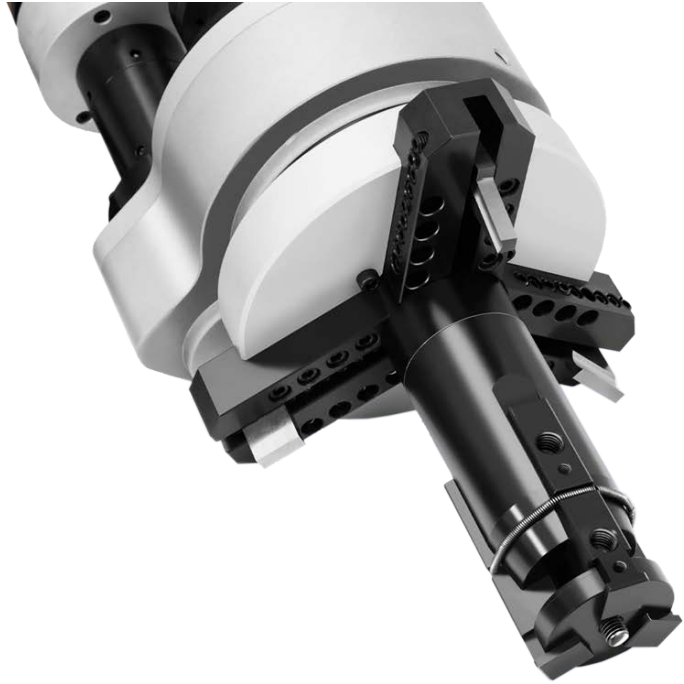
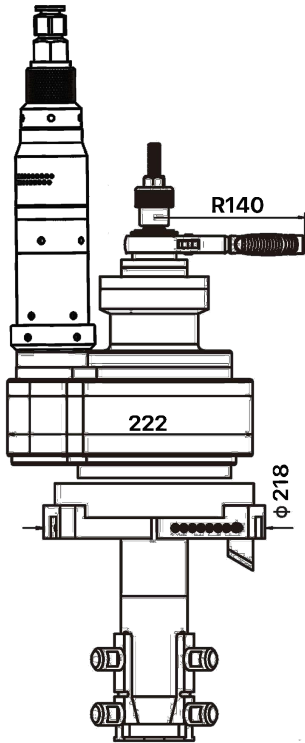
1. Light weight Aluminum housing, and machine components for easy transport and handling.
2. centering 3 leg wedge system centers the tool in the pipe for quick setup and accurate machining.
3. Integrated wedge system allows quick change of leg extensions.
4. High strength mandrel and large-area expanding block for rigid and smooth operation.
5. Ratchet wheel handle design makes tool feed easy, absorbs torque, reduces operator fatigue and increases safety.
6. Power options to choose – pneumatic, Electric motor.
7. Variety of tooling options allow you to bevel, counter bore, and perform V and U welding seam with proper carbide tooling.
8. Three bevel tools can be installed on cutter, pipe can be worked synchronously.



# PB8

# BEVELING MACHINE

## Dimensions



## Specifications

Model	PB8	
Driven	Pneumatic	Electric Motor
Power Supply	1200L/Min@0.6Mpa	220-240V 1PH 50/60HZ
Motor Power	1.5 HP	1200W
Clamping Range(ID)	2.56"-8.26" ( 65-210mm )	
Working Range( ID-OD )	2.56"-8.63" ( 65-219.08mm )	
Wall Thickness	≤20mm (0.79")	
Rotation Speed	50r/min	24r/min
Working Weight	26kg	28kg
Shipping Weight	41kg	45kg
Packing Size	28.9x 12x 13.4In. ( 730x310x340mm )	32.7x 12x 13.4In. ( 830x310x340mm )
Tool Number	3	



# CONTACT

## EZLINK PORTABLE MACHINE TOOLS

Add: Xinxiang Town Industry Zone, Huanghe Road,  
Weibin District, Xinxiang City, Henan, China

Tel: +86-17737350726

Email: [info@ezlinktrade.com](mailto:info@ezlinktrade.com)

[info@ezlinkportable.com](mailto:info@ezlinkportable.com)

[info@elineboringmachine.com](mailto:info@elineboringmachine.com)

[www.ezlinktrade.com](http://www.ezlinktrade.com)

[www.ezlinkportable.com](http://www.ezlinkportable.com)

[www.elineboringmachine.com](http://www.elineboringmachine.com)

## ID Mount

### PB8

# Pipe Beveling

### FOR

## 2.56" -8.63"

### DIAMETER PIPES



EZLINK PORTABLE MACHINE TOOLS

