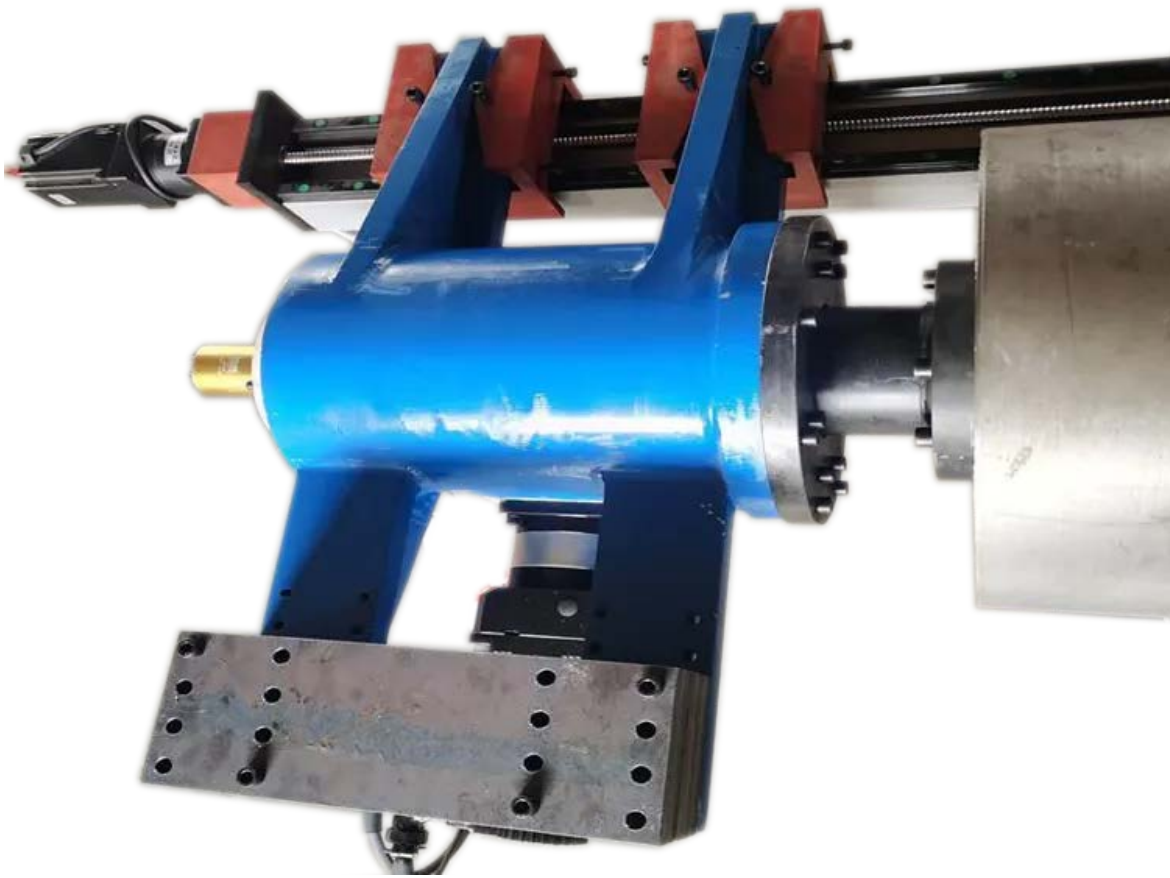




PSL500

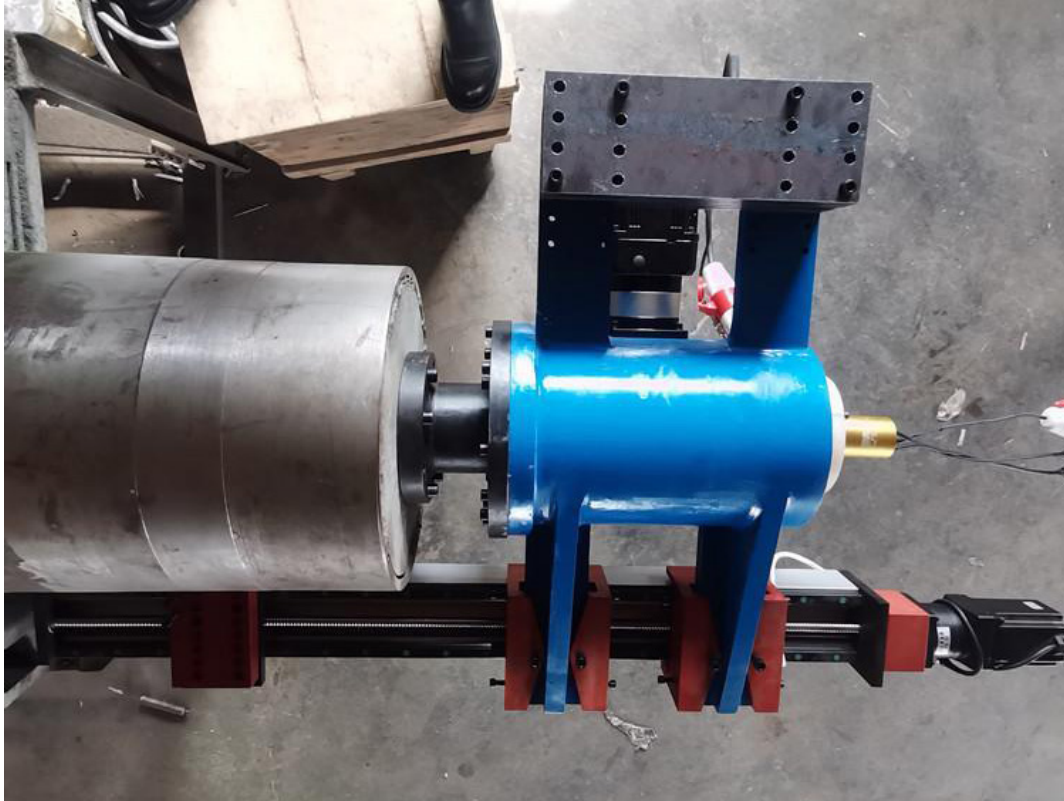
PORTABLE SHAFT LATHE





PSL500

PORTABLE SHAFT LATHE



PSL500 Portable Shaft Lathe is a precision machine tool engineered to re-turn large shafts and roll journals by bolting directly to the end of the workpiece and rotating around the shaft. Simply remove the gear or bearing to expose the end of the shaft. Adjusting screws allow accurate centering and alignment even if the shaft face is no longer square.

It requires little disassembly or costly relocation of equipment.

1. A compact, rugged portable lathe for on-site re-turning of shafts or journals. The PSL500 portable lathe mounts on the end of the shaft.
2. Turning bar adopts aerometal material and high tensile steel tube. Lightweight, robust, easy to setup and operate.
3. Criterion style tool head provides accurate adjustments, and make sure co-axial with the workpiece.
4. Servo motor and worm reducer provide plenty of torque. forward, reverse, inching control, variable speed.
5. Turning arm adopts V guide rail, precise

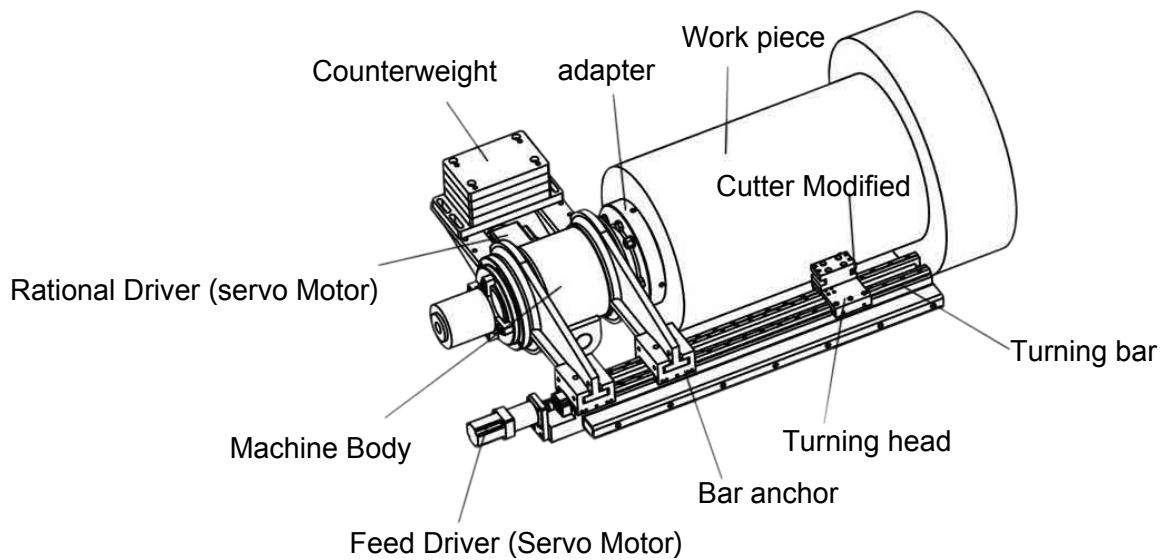


PSL500

PORTABLE SHAFT LATHE

SPECIFICATION

Model	PSL500	
Power	220v - 2KW -electric servo motor	
Turning Reach	500mm	CUSTOMIZABLE
Shaft Diameter	250-550mm	





CONTACT

EZLINK PORTABLE MACHINE TOOLS

Add: Xinxiang Town Industry Zone, Huanghe Road,
Weibin District, Xinxiang City, Henan, China

Tel: +86-17737350726

Email: info@ezlinktrade.com

info@ezlinkportable.com

info@elineboringmachine.com

www.ezlinktrade.com

www.ezlinkportable.com

www.elineboringmachine.com

Portable

- ➔ **Line Boring Machine**
- ➔ **Flange Facer**
- ➔ **Pipe Beveling Machine**
- ➔ **Split frame cold cutter and beveler**
- ➔ **Shaft Lathe**

Machine Tools

